

E-Z Prime Jet Pump

For Shallow Well Applications up to 25 Feet



Primes quickly and easily because impeller and injector are aligned within a case designed for reliable start-up.

High head or high capacity performance available.

Models range from 1/2 HP to 1 1/2 HP.

Versatile, dual-rated motor (115/230 Volt) with two-compartment housing to keep electrical components clean and allow easy access for service.

Shaft and flange design allows for quick and easy maintenance, and motor replacement capability.

Conveniently located drain plug to prevent freezing and a specially-designed port for easy cleaning.

Water on demand is the key feature of Red Jacket Water Products E-Z Prime Jet Pump. By positioning the impeller eye in-line with the injector, a sure, fast prime is achieved every time the pump is activated. This means reliable performance where it counts most – at the discharge. Models are available in 1/2 through 1 1/2 HP in both high pressure and high capacity ratings.

Red Jacket Water Products is a brand of ITT Water Technology, Inc. – a subsidiary of ITT Industries, Inc.

Red Jacket Water Products is a licensed trademark.

The ITT Engineered Blocks symbol is a registered trademark and tradename of ITT Industries.

Visit us at: www.redjacketwaterproducts.com

Effective June, 2005

© 2005 ITT Water Technology, Inc.

BRJEZ



ITT Industries

E-Z Prime

Jet Pump

For Shallow Well Applications up to 25 Feet

Performance and Specifications Table

Model	HP	Suction Lift	Injector Style	Approximate Capacity at Discharge Pressure (GPH)					Shut-off PSI	Pressure Switch Setting
				20 PSI	30 PSI	40 PSI	50 PSI	60 PSI		
502SWH	1/2	5	High Press.	450	426	408	300	120	67	20 – 40
		15		342	330	282	186	66	65	
		25		204	192	156	144	–	59	
502SWC	1/2	5	High Cap.	690	660	480	210	–	59	20 – 40
		15		525	510	330	60	–	53	
		25		318	288	192	–	–	49	
752SWH	3/4	5	High Press.	546	516	498	366	180	74	20 – 40
		15		408	402	366	240	60	65	
		25		246	234	192	120	–	58	
752SWC	3/4	5	High Cap.	900	870	672	282	–	59	20 – 40
		15		672	630	486	150	–	54	
		25		372	366	270	–	–	48	
1002SW	1	5	Combination	1332	1272	918	540	120	62	30 – 50
		15		984	966	780	324	–	58	
		25		558	540	456	120	–	53	
1502SW	1 1/2	5	Combination	1290	1266	1224	1020	660	76	30 – 50
		15		990	960	924	840	420	72	
		25		498	492	480	438	240	66	

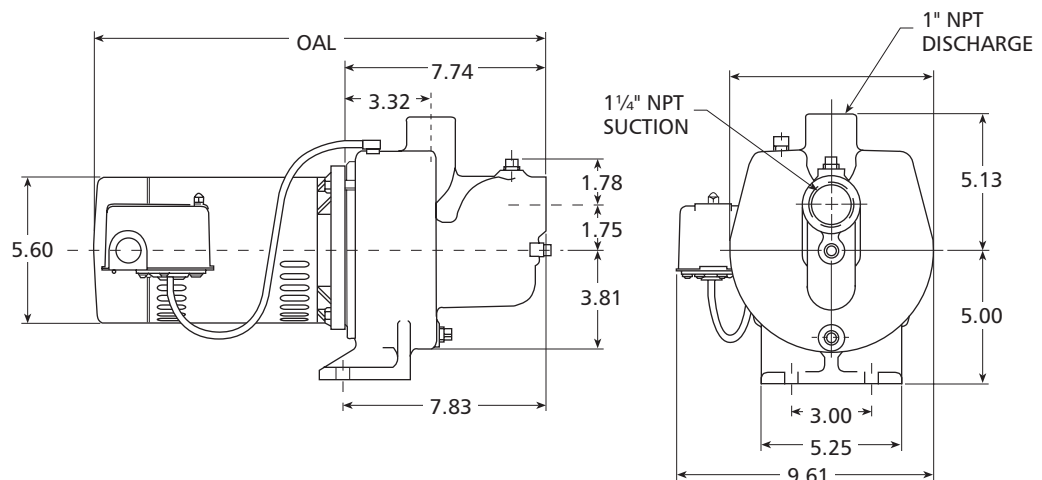
Performance based on laboratory tests. Actual performance may vary based on installation.

Model	HP	Suction Lift	Injector Style	Approximate Capacity at Discharge Pressure (GPH)					Shut-off PSI	Pressure Switch Setting
				20 PSI	30 PSI	40 PSI	50 PSI	60 PSI		
502SWHW	1/2	5	Special for quieter operation #1414271	1003	1060	559	302	103	62	20 – 40
		10		872	872	581	296	86	60	
		15		718	695	553	291	68	58	
		20*		536	513	422	279	–	56	

* Pump will perform with up to 20' of suction lift. It will not prime or reprime with water more than 19' below the suction port.

Dimensions

MODEL	OAL
502SW	18.38
752SW	18.38
1002SW	19.13
1502SW	19.38



Red Jacket Water Products reserves the right to make design improvements and pricing modifications as necessary and without notice.

PRINTED IN U.S.A.

© 2005 ITT Water Technology, Inc.